

COMPLEMENTS | Four Seasons

Item code: 4S

| Sistema modulare di sedute per esterno. Completa la collezione un tavolino.

| Struttura: acciaio verniciato a polveri

| Cover: corda tecnica in polipropilene assemblata e cucita manualmente

| Imbottitura: poliuretano espanso a densità differenziate

| Rivestimento: fodere removibili in tessuto impermeabile in Olefin (polipropilene) accoppiato a polietilene

| Tavolino: alluminio fuso riciclato verniciato a polveri

| Resistente ai raggi UV e agli agenti atmosferici

| *Modular outdoor seating system. A table completes the collection.*

| *Frame: powder-coated steel*

| *Cover: technical polypropylene rope hand-assembled and stitched*

| *Padding: polyurethane foam with differentiated densities*

| *Upholstery: removable covers in waterproof Olefin (polypropylene) fabric bonded with polyethylene*

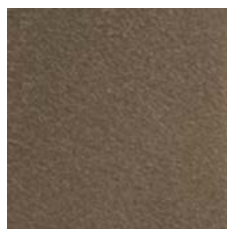
| *Coffee table: recycled cast aluminum with powder coating*

| *UV and weather resistant*

Struttura | Structure

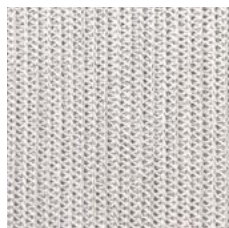


LG



DB

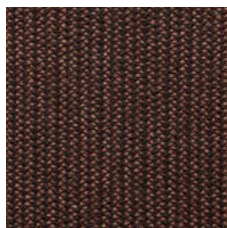
Strato cover



F SR 01



F SR 02

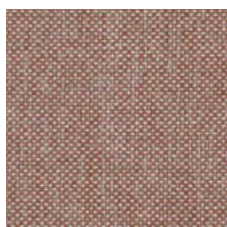


F SR 03

Cuscini | Cushions



SA



RU



W



Light fastness
EN ISO 105-B02
EN ISO 1307 (T)



Suitability for use in
humid condition
EN 1307 (T)

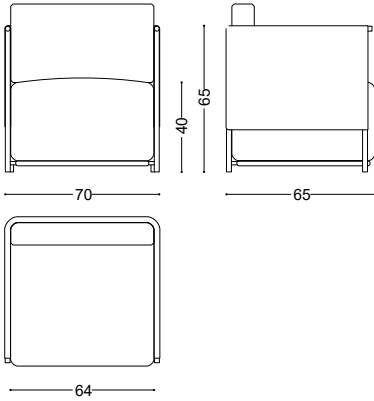


CE mark regulation
DIR. 89/06/EE C

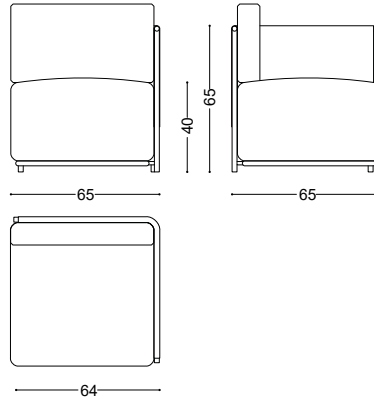
COMPLEMENTS | Four Seasons

Item code: 4S

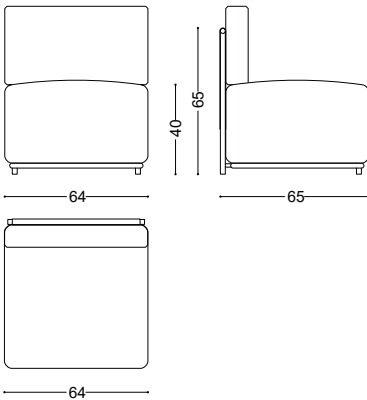
4S 001 - Poltronciana | *Armchair*



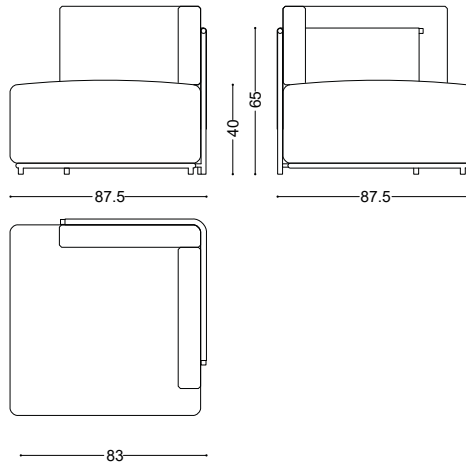
4S A 001 - Angolo | *Angle*



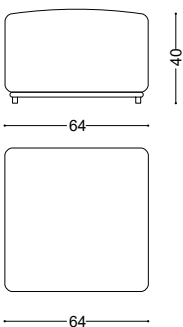
4S C 001 - Centro | *Center*



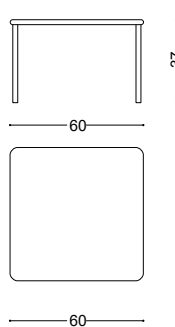
4S XL 001 - Extra large



4S P 001 - Pouf



4S T 001 - Tavolino | *Coffe table*



Light fastness
EN ISO 105-B02
EN ISO 1307 (T)



Suitability for use in
humid condition
EN 1307 (T)



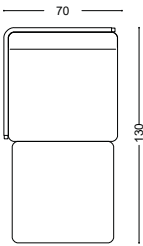
CE mark regulation
DIR. 89/06/EE C

COMPLEMENTS | Four Seasons

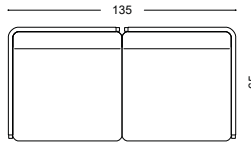
Item code: 4S

Configurazioni suggerite | Recommended compositions

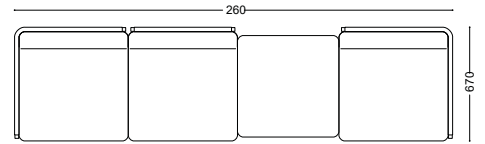
4S AP 002



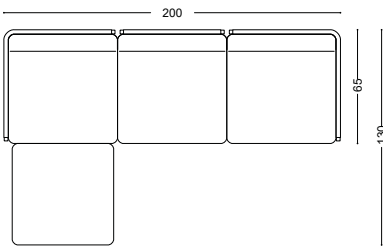
4S AA 002



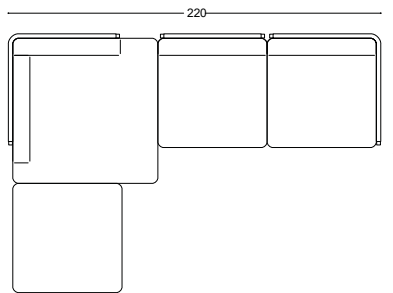
4S ACTA 003



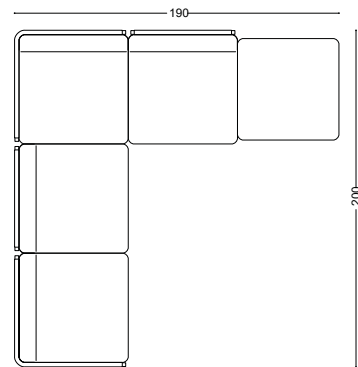
4S PACA 003



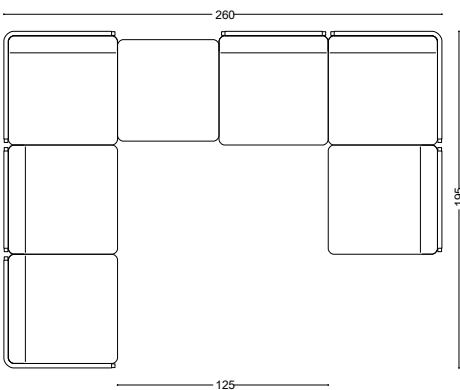
4S PXLCA 003



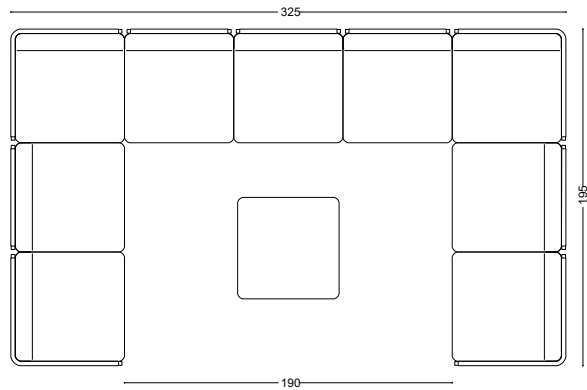
4S ACACT 003



4S ACATCAC 004



4S ACACCCACAT 007



Light fastness
EN ISO 105-B02
EN ISO 1307 (T)



Suitability for use in
humid condition
EN 1307 (T)



CE mark regulation
DIR. 89/06/EE C